



HiFluid, located in Ji'nan, China, national high-tech enterprise, science and technology-based SME, has been focusing on providing safe, stable, intelligent, and customized solutions for advanced ultra-high-pressure fluid applications such as hydrogen compression, high-pressure testing, high-pressure processing (HPP), solid-electrolyte battery production etc. as well as pressure generation unit and control & transfer unit for standard ultra-high-pressure fluid systems since its establishment in 2019. Leveraging its core competencies in design, equipment, and quality assurance, the company is committed to helping customers minimize lifecycle operational costs through energy-saving technologies and extended maintenance intervals.

The company has achieved certifications for ISO 9001 Quality Management System, ISO 14001 Environmental Management System, and ISO 45001 Occupational Health and Safety Management System. We strive to differentiate ourselves from traditional suppliers by embodying the role of consultants and solution providers with our expertise and craftsmanship.

All greatness comes from a brave beginning.

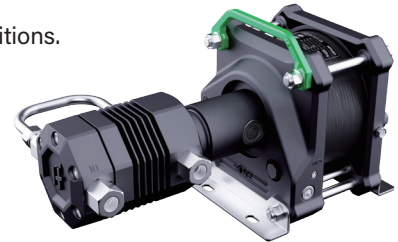
HFR Series of Air Driven Refrigerant Pumps

Product Introduction

HFR series of air driven refrigerant pumps is suitable for various refrigerant media and conditions, offering high safety, media purity, low operating cost, portability, continuous start-stop capability, and easy maintenance.

Product Features

- **Clean Medium:** The special design between the air drive and gas sections, along with oil-free compression at the gas section, effectively prevents medium contamination.
- **Cool Operation:** No heat is generated during liquid refrigerant transmission, with slight heating during gaseous refrigerant transmission.
- **Safety:** Air driven, no electrical sparks are generated.
- **Flexibility:** Flexible to add instruments and hoses according to different operating conditions.
- **Portability:** Lightweight and easy to install.



Application Conditions

Suitable for the transfer, filling, pressurization, and recovery of various refrigerants.

Product Specifications

Type	Pressure Ratio	Displacement /Cycle (ml)	Max. Outlet Pressure		Connection Interface			Dimensions (mm)			Weight (kg)
			MPa	psi	Drive Inlet	Medium Inlet	Medium Outlet	A	B	C	
HFR15	1:4.6	140	3.7	536	NPT1/2	NPT1/2	NPT1/2	436	155	188	6
HFR25	1:5.5	160	4.4	638	NPT1/2	NPT3/8	NPT3/8	418	272	230	12.5

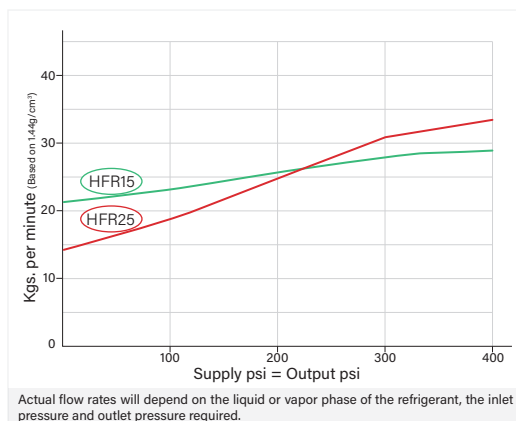
Applicable Medium

R12, R22, R23, R32, R123, R134a, R290, R404, R410a, R600a, R1234YF etc.

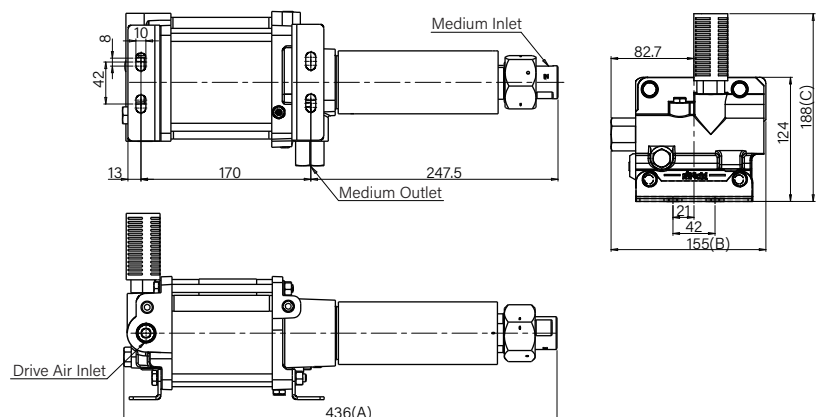
For special media, please contact HiFluid sales personnel for consultation.



Flow Rate



HFR15 Installation Dimensions



HFR25 Installation Dimensions

