

# Hydraulically Driven Liquid Pumps

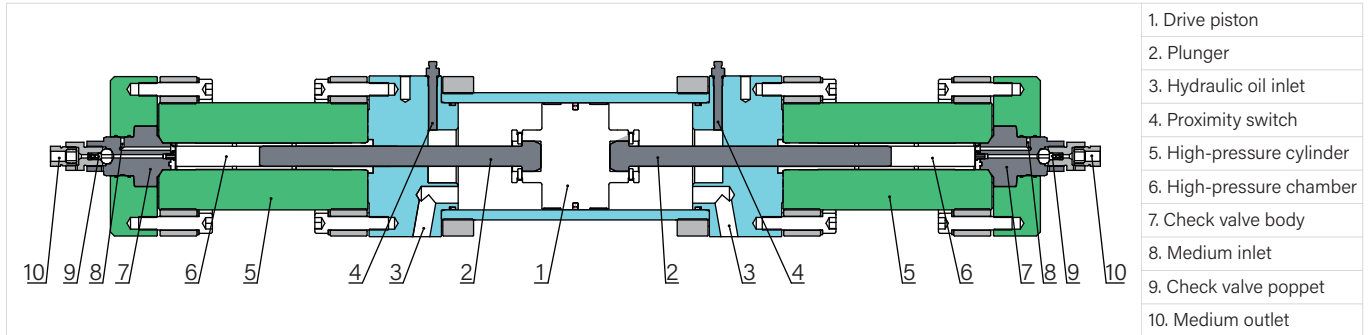


# HiFluid Hydraulically Driven Gas Boosters

HiFluid offers a comprehensive product portfolio, delivering suitable solutions for a wide range of applications worldwide.

The hydraulically driven liquid pump developed and manufactured by HiFluid Industrial uses low-pressure hydraulic oil as the driving source to boost liquid media to the required pressure.

The pump is designed with a standard maximum working pressure of up to 700MPa. For applications requiring higher operating pressures, customized designs can be provided.



## Key Advantages

- Specifically designed for high-pressure liquid applications, suitable for a wide range of liquid media.
- Robust construction, capable of frequent start/stop cycles and continuous heavy-duty operation.
- Special structural separation between the drive side and the pressurization side, preventing cross-contamination of media.
- Maintenance-friendly design, significantly reducing the replacement time of wear parts.
- Excellent primary sealing performance and long maintenance intervals.
- Continuously adjustable flow rate from 0% to 100%.
- Large-bore, fast-acting check valve design for efficient operation.
- Maximum flow rate up to 7.6 L/min.

## Typical Applications

- **HPP (High-Pressure Processing):** Establishes ultra-high-pressure during HPP production, providing the required pressure environment for sterilization vessels
- **Isostatic Pressing:** Supplies ultra-high-pressure media to sealed vessels for isostatic pressing applications, creating the necessary confining pressure.
- **High-Pressure Water Jetting:** Provides a high-pressure water source up to 400MPa for water jet cutting processes.
- **High-Pressure Assisted Forming:** Delivers high-pressure, high-flow liquid to assist forming processes, achieving improved forming results.
- **High-Pressure Water Cleaning:** Supplies large-flow, high-pressure water for industrial cleaning operations.
- **Hydrostatic and Burst Testing:** Provides high-pressure liquid media for hydrostatic pressure testing and burst testing applications.

## Parameter dimensions

Model	Pressure Ratio	Displacement /Cycle (ml)	Pressure Limit				Max. Loop Count (/min)	Max. Flow Rate (L/min)	Connecting Interface				Weight (kg)
			Max. Outlet Pressure		Min. Inlet Pressure				Drive Port P	Medium Inlet A	Medium Outlet B	Leakage Test Port Y	
			MPa	psi	MPa	psi							
HFHL-27-700	1:27	350	700	101500	0.2	29	22	7.6	SAE flange 1"	NPT 1/4"	U9F	NPT 1/8"	347

